



STAINLESS - STEEL DIGITAL PUMP

Lab Series

Enhanced Flow Rate for laboratory Applications

Engineered for laboratory applications, Labs-3 & Labs-4 pumps has a 304 stainless steel housing, dynamic display, versatile modes, and a maintenance-free motor. An Intelligent calibration and online micro-adjustment function ensure superior accuracy.

Features



304 Stainless-Steel Housing

Seamless welding design conforms to GMP requirements



Dynamic Display

View data on one screen: Flow rate, parameters, config, etc.



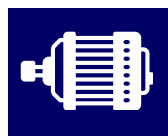
Operational Modes

Continuous flow, Fixed time & volume, Time based start/ stop



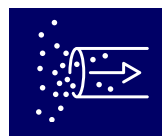
Smart Calibration

Functionality offsets flow to eliminate any errors



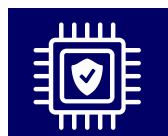
Robust Motor

A Maintenance free motor enables high speed, control & accuracy.



Back Angle Suction

Enables high accuracy level in volumetric dispensing.



Circuitboard Protection

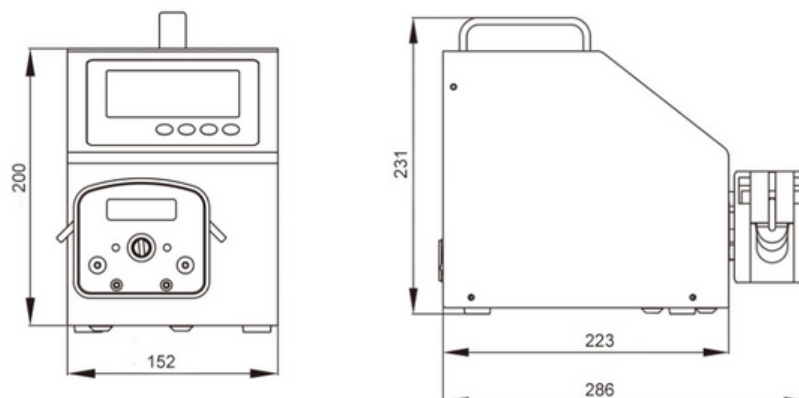
Ensures protection against dust, moisture, static & Corrosion



Communication Interface

Comes with Analogue signal, RS232, RS485 MODBUS protocol

Dimension



Contact Us

☎ 040-45210400

✉ enquiry@biopulsesolutions.com

🌐 www.biopulsesolutions.com

Specifications



| Pump Model | LabS-3 | LabS-4 |
|---------------------|--------------------------------------|--------------------|
| Part No. | BP902012-107 | BP902012-109 |
| Flow Rate | 0.21l - 3600 ml/min | 0.3 - 6000 ml/min |
| Motor Speed | 0.1 - 600 rpm | |
| Speed Resolution | 0.01 rpm | |
| Pump-Head Stack | 1 | |
| Reversible (CW/CCW) | Yes | |
| Suction Back Angle | 0-360 ° | |
| External Control | 0-5V, 0-10V, 4-20 mA | |
| Display | 4.3" Industrial-Grade True color LCD | |
| Control | Touch Screen & Mechanical Keypad | |
| Housing Enclosure | 304 Stainless Steel | |
| IP Rating | IP31 | |
| Dimensions (LxWxH) | 223 x 152 x 200 mm | 283 x 192 x 218 mm |
| Power | 230 VAC, 50/60 Hz | |
| Weight | 5.02 kg | 7.85 kg |

| Tube Size | LabS-3 Flow rate (ml/min) with 2.4 mm tubing WT | LabS-4 Flow rate (ml/min) with 2.4 mm tubing WT |
|-----------|---|---|
| 4.8 mm | 0.21 - 1264 | 0.3 - 1800 |
| 6.4 mm | 0.38 - 2310 | 0.5 - 3300 |
| 7.9 mm | 0.50 - 3050 | 0.8 - 4800 |
| 9.6 mm | 0.6 - 3600 | 1 - 6000' |

We also offer end-to-end Fluid Management Solutions including

Single-Use Technologies | Tubing | Fittings | connectors

and more...

Contact Us

☎ 040-45210400

✉ enquiry@biopulsesolutions.com

🌐 www.biopulsesolutions.com