



ANALOGUE SERIES

Economical variable speed flow rate with Motor speed control.

Achieve unparalleled efficiency, accuracy and convenience for your laboratory operations with our next-Gen series of basic peristaltic pump, featuring a digital display (RPM), variable speed flow rate designed, and more.

Features



3-Digit LED Display

Displays motor speed (RPM) at a glance



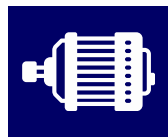
Timer Function

Simple dispense function with time range of 0.5 - 999 sec



Pump-head Design

Patented design makes operations easy & practical



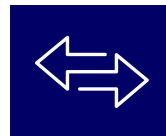
Robust Motor

A Maintenance free motor enables high speed, control & accuracy.



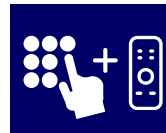
Stainless-Steel Housing

Seamless welding design conforms to GMP requirements



Bi-Directional Motor

Provides operational convenience in your process



2 way Control

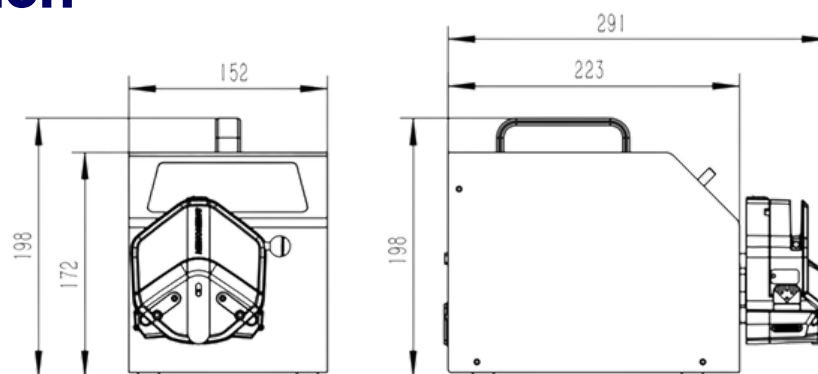
Use Keypad or remote to start/stop, direction, & speed



Stacking Options

Increase productivity by stacking 2 pump heads on the same drive.

Dimension



These are representative images. The actual appearance of the product may differ as per models

Contact Us

☎ 040-45210400

✉ enquiry@biopulsesolutions.com

🌐 www.biopulsesolutions.com

Specifications



3 Years
Warranty



Pump Model	LabRS-I	LabRS -II
Part No.	BP902011-105	BP902011-106
Flow Rate	0.005 - 2580 ml/min	0.18 - 3100 ml/min
Motor Speed	0.1 - 600 rpm	
Speed Resolution	0.1 rpm @ 100 rpm ; 1 rpm from 100-600	
Pump Head Stack	2	
Reversible (CW/CCW)	Yes	
External Control	0-5V, 0-10V, 4-20 mA	
Display	3 digit LED	
Control	Mechanical Keypad	
Housing Enclosure	Stainless Steel	
IP Rating	IP31	
Dimensions (LxWxH)	230 x 152 x 198 mm	
Power	230 VAC, 50/60 Hz	
Weight	5 kg	

Tube Size	LabRS - I Flow rate (ml/min) 1.6 mm WT	LabRS - II Flow rate (ml/min) 2.4 mm WT
0.8 mm	0.005 - 32	-
1.6 mm	0.027 - 162	-
3.1 mm	0.093 - 560	-
4.8 mm	0.196 - 1180	0.18 - 1080
6.4 mm	0.333 - 2000	0.27 - 1640
7.9 mm	0.43 - 2580	0.38 - 2300
9.6 mm	-	0.51 - 3100

Accessories

Pump Head (1.6 mm WT)	BP902017-005
Pump Head (2.4 mm WT)	BP902017-006
Mounting Hardware (max. 2 pump heads)	BP902017-105

We also offer end-to-end Fluid management solutions including

Tubing | Fittings | Connectors |
Single-Use Technologies
and more...

Contact Us

☎ 040-45210400

✉ enquiry@biopulsesolutions.com

🌐 www.biopulsesolutions.com