

## Industrial Analogue Series

*Consistent, Robust, Reliable fluid transfer  
for Demanding Industrial Applications*



Experience precision and reliability with our industrial peristaltic pump, featuring a three-digit LED display for RPM monitoring. Engineered with a robust maintenance-free motor and rugged stainless steel enclosure, it offers bi-directional speed control and a patented pump-head design for enhanced functionality. Perfect for high-flow, high-precision liquid transfer in diverse industrial environments, ensuring efficiency and ease of operation.

### Features



#### LED Display

Three-digit LED display enables motor speed (RPM) control.



#### Maintenance Free Motor

Powerful maintenance-free motor provides protection against hazards



#### Bi-Directional Motor

Bi-directional motor offers operational convenience.



#### Pump-Head Design

Provides a functional design for quick and practical changeovers



#### Speed Control

Simple Speed control enables greater control on speed flow rate.



#### Control Mechanism

Membrane keypad or remote can be used to control operations.



#### Steel Housing

Steel Enclosure protects against moisture, chemicals and dust



#### Compact & Powerful

Light enough to carry & powerful enough to drive two pump heads.

**Suitable for environments that require  
Precise Fluid Transfer at larger flow rates**

### Contact Us

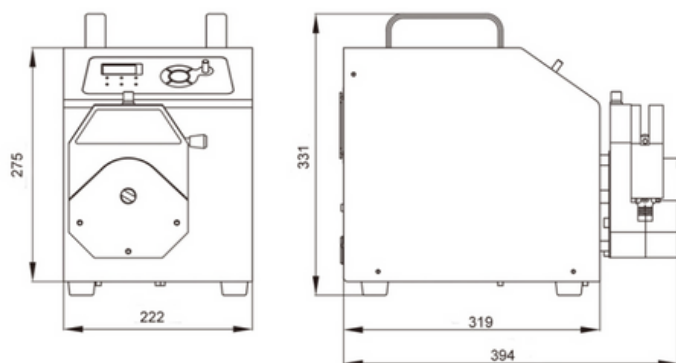
# Specifications



<b>Pump Model</b>	<b>P-I</b>
<b>Part No.</b>	<b>BP902011-111</b>
<b>Flow Rate</b>	0.69 - 12 LPM
<b>Motor Speed</b>	0.1 - 600 rpm
<b>Speed Resolution</b>	0.1 rpm @ 100 rpm ; 1 rpm from 100-600
<b>Pump-Head Stack</b>	2
<b>Reversible (CW/CCW)</b>	Yes
<b>External Control</b>	0-5V, 0-10V, 4-20 mA
<b>Display</b>	3 Digit LED
<b>Control</b>	Mechanical Keypad & Single Turn Knob
<b>Housing Enclosure</b>	304 Stainless Steel
<b>IP Rating</b>	IP31
<b>Dimensions (LxWxH)</b>	283 x 192 x 274 mm
<b>Power</b>	230 VAC, 50/60 Hz
<b>Weight</b>	7.85 kg

<b>Tube Size</b>	<b>ml/rev</b>	<b>LPM</b>
6.4 mm	6.9	4.2
9.5 mm	12.3	7.4
12.7 mm	20	12

# Dimensions



We also offer end-to-end Fluid management solutions including

- Single-Use Technologies
- Tubing
- Fittings
- Connectors

and more...

## Contact Us