

Comprehensive & Customizable 3D Bag Assemblies

Vertically integrated | Sterile | Cleanroom Manufactured & Assembled

INDBio® 3D Bag Assembly

INDBio® 3D Bags provide the perfect solution for processing, storing, and transporting large-volume biopharmaceutical solutions within storage drums of a variety of sizes. Designed with precision, these bags offer a game-changing single-use alternative to traditional stainless steel vessels. The versatility of our 3D bag solutions enables a variety of applications ensuring quick-seamless operations while maintaining product quality and integrity during storage or transportation.



Features

- Multiple configurations for various processes and applications
- Compatible with sterile connection and disconnection devices
- Quick connects for easy attachment or adaptation to various connections.
- Tri-clamps ensure compatibility with standard production environments
- Comprehensive testing including biological, chemical, and physical tests
- ISO11137 compliant for validated sterility claims
- Manufactured in ISO Class 7 cleanrooms

Specifications

Volumes	50 L - 2000 L
Tubing Material	TPE and Silicone
Fittings	MPX Couplings, Female Luer Lock, MPC Male Coupling, Tri-Clamp, Needle free sampling port
Compliance	Manufactured in a controlled environment (Class 10,000) Manufactured under Quality Management System certified to ISO 9001 Validation includes testing for: Integrity testing, Validation Guide for Bag film & Bag Assembly
Sterilization	Gamma irradiation, 25-40 KGy
Manufacturing	Under cGMP protocols in ISO Class 7 cleanroom conditions.
Traceability	Full traceability of all components.
Packaging	Clean and double-bagged. Packaging has labels with: gamma indicator, SKU, description, expiration date and batch No.

[Enquire Now](#)



100%
integrity
testing



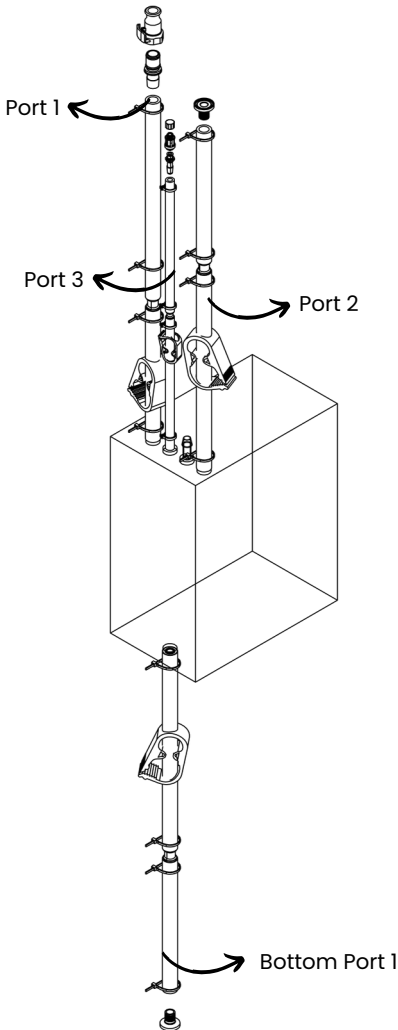
Available in
Standard &
custom



Adaptable
Scalable &
Configurable



Regulatory
Traceability &
Compliance



Standard Assembly Details:

Tubing:
Silicone

Top Port 1:

½" × ¾" × 1.5 m ½" MPX male + sealing cap

Top Port 2:

½" × ¾" × 1.5 m 1-½" Tri-Clamp

Top Port 3:

1/8" × ¼" × 1.1 m LL female + needle free sampling port

Bottom Port 1:

½" × ¾" × 1.5 m 1-½" Tri-Clamp

Standard INDBio® 3D Bag Assemblies

Volume	SKU
50L	BP901029-001
100L	BP901029-002
200L	BP901029-003
500L	BP901029-004

Maximum Size up to 2000L. Details available on request.

Our standard SKUs and scope of customization are not limited to the mentioned SKUs

Achieve More with BioPulse TODAY



Open Architecture = Limitless Possibilities
Our approach, enables you to choose

Material Construction of Bag Films
Any Brand, Formulations, and Configuration
We go with YOUR CHOICE



Sterile Excellence = Peace of Mind

Double-bagged & gamma sterilize, in our state-of-the-art ISO 13485:2016 certified Class 7 cleanroom facility



Precision Engineering = Customized Flexibility

Every unique application deserves a unique tubing. Customize tubing to specifications ensuring no leftovers or wastage.



Complete Package = No Hassles

Includes validation and testing services, for your tubing ensuring batch readiness, and significantly reducing your validation efforts

Enquire Now

📞 040-45210400

✉ enquiry@biopulsesolutions.com

🌐 www.biopulsesolutions.com