

# Comprehensive & Customizable 2D Bag Assemblies

Vertically Integrated | Sterile | Cleanroom Manufactured & Assembled

## INDBio® 2D Bag Assembly

Say goodbye to traditional stainless steel equipment and embrace the future of fluid management with our innovative single-use 2D bags. Designed for virtually any storage application, INDBio® 2D Bags offer unparalleled efficiency, reducing risks while driving down costs with unparalleled ease.



### Features

- Multi-layer gas-barrier polymer laminate core
- Product-contacting layer blow-extruded in-house under cleanroom conditions
- Puncture resistant, gas diffusion control, and flexibility
- Film compliant with USP Class VI requirements and ADCF
- Exceptional optical clarity, strength, and cleanliness
- Manufactured in ISO Class 7 cleanrooms

### Specifications

Volumes	50 mL, 100 mL, 250 mL, 1 L, 5 L, 10 L, 20 L, 50 L
Port Locations	End ported, boat fitment
Tubing Material	TPE and Silicone
Connector options	Luer connectors, Quick Connectors and Aseptic connectors and, others (available upon request)
Filters	Brand of your choice
% Liquid Recovery (WFI)	> 99.9%
Compliance	Manufactured in a controlled environment (Class 10,000) Manufactured under Quality management system certified to ISO 9001  <b>Validation include testing for:</b> Integrity testing, Validation Guide for Bag film & Bag Assembly
Sterilization	Gamma irradiation, 25-40 KGy
Manufacturing	Under cGMP protocols in ISO Class 7 cleanroom conditions.
Traceability	Full traceability of all components.
Packaging	Clean and double-bagged. Packaging has labels with: Gamma indicator, SKU, description, expiration date and batch No.

[Enquire Now](#)



**100%**  
Integrity  
testing



**Available in**  
Standard &  
custom



**Adaptable**  
Scalable &  
Configurable



**Regulatory**  
Traceability &  
Compliance

## Ordering Information

### Standard 2D Bag Assembly

for Drum With Silicone & TPE Tubes, Luer connectors, CPC/ MPC connectors and, others

#### Standard Assembly Details

Port 1: 10 cm ID ¼ in. OD 7/16 in. with needle-free luer sampling valve and pinch clamp

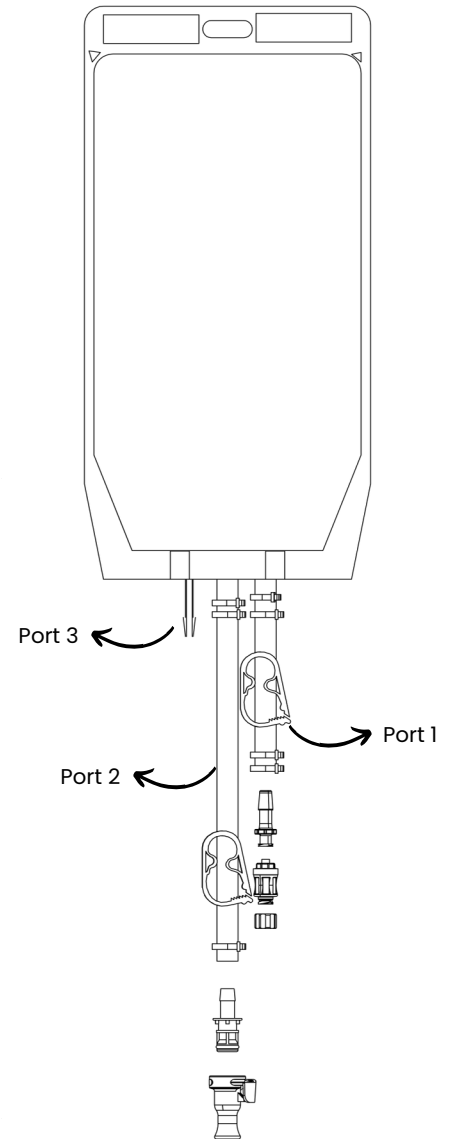
Port 2: 20 cm ID ¼ in. OD 7/16 in. with pinch clamp, male MPC connector closed with MPC cap

Port 3: Sealed-off port

### Standard INDBio® 2D Bag Assembly

Volume	SKU
50 mL	BP901028-005
100 mL	BP901028-002
250 mL	BP901028-003
1 L	BP901028-004
2 L	BP901028-005
5 L	BP901028-006
10 L	BP901028-007
20 L	BP901028-008
50 L	BP901028-009

*Our standard SKUs and scope of customization are not limited to the mentioned SKUs*



## Achieve More with BioPulse TODAY



**Open Architecture = Limitless Possibilities**  
Our approach, enables you to choose

**Material Construction of Bag Films**  
**Any Brand, Formulations, and Configuration**  
We go with YOUR CHOICE



**Sterile Excellence = Peace of Mind**

Double-bagged & gamma sterilize, in our state-of-the-art ISO 13485:2016 certified Class 7 cleanroom facility



**Precision Engineering = Customized Flexibility**

Every unique application deserves a unique tubing. Customize tubing to specifications ensuring no leftovers or wastage.



**Complete Package = No Hassles**

Includes validation and testing services, for your tubing ensuring batch readiness, and significantly reducing your validation efforts

**Enquire Now**

040-45210400

enquiry@biopulsesolutions.com

www.biopulsesolutions.com