



SMART-DISPENSE DIGITAL PUMP

Smart, Precise, & Programmable

Ideal for applications, that require very precise dispensing. Introducing a new-generation of Smart dispensing peristaltic pump that enables you to pre-set dispensing volume, time & pause time and more.

Features



Custom Filling Programs

Store 60 Customizable Filling Modes as per your application



Dynamic Display

View data on one screen: Flow rate, parameters, config, etc.



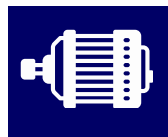
Operational Modes

Continuous flow, Fixed time & volume, Time based start/ stop



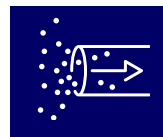
Smart Calibration

Functionality offsets flow to eliminate any errors



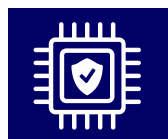
Robust Motor

A Maintenance free motor enables high speed, control & accuracy.



Back Angle Suction

Enables high accuracy level in volumetric dispensing.



Weighted Dispensing

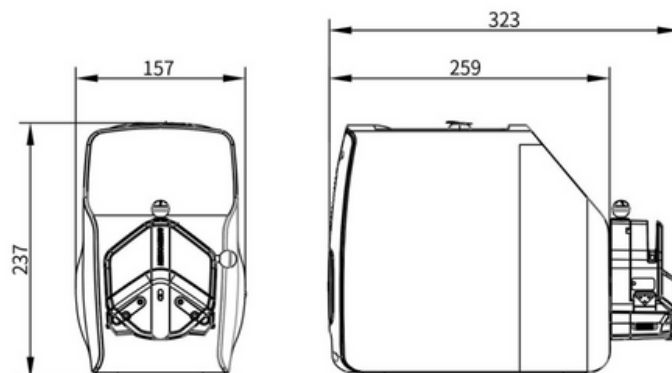
Integrated with the balance for accurate dispensing



Communication Interface

Comes with Analogue signal, RS232, RS485 MODBUS protocol

Dimension



Contact Us

☎ 040-45210400

✉ enquiry@biopulsesolutions.com

🌐 www.biopulsesolutions.com

Specifications



Pump Model	LabiD-I	LabiD-II
Part No.	BP902013-005	BP902013-006
Flow Rate	0.0053 - 2580 ml/min	0.18 - 3100 ml/min
Motor Speed	0.1 - 600 rpm	
Speed Resolution	0.01 rpm	
Dispensing Volume Range	0.1-9999.99 ml	
Dispensing Accuracy*	±0.5%	
Pause Time	0.1-9999.99 sec	
Reversible (CW/CCW)	Yes	
Suction Back Angle	0-360 °	
External Control	0-5V, 0-10V, 4-20 mA, RS232, RS485	
Display	4.3" Industrial grade True color LCD	
Control	Touch screen & Mechanical Keypad	
Housing Enclosure	ABS plastic	
IP Rating	IP31	
Dimensions (LxWxH)	259 x 157 x 237 mm	
Power	230 VAC, 50/60 Hz	
Weight	4.40 kg	

*Note: Actual performance of dispensing accuracy may vary depending on certain conditions

Tube Size	Flow rate (ml/min) with 1.6 mm tubing wall thickness	Flow rate (ml/min) with 2.4 mm tubing wall thickness
0.8 mm	0.005 - 32	-
1.6 mm	0.027 - 162	-
3.1 mm	0.093 - 560	-
4.8 mm	0.196 - 1180	0.18 - 1080
6.4 mm	0.333 - 2000	0.27 - 1640
7.9 mm	0.43 - 2580	0.38 - 2300
9.6 mm	-	0.51 - 3100

Accessories

Pump Head (1.6 mm WT)	BP902017-005
Pump Head (2.4 mm WT)	BP902017-006
Mounting Hardware (max. 2 pump heads)	BP902017-105

We also offer end-to-end Fluid management solutions including

Tubing | Fittings | Connectors
and more...

Contact Us

☎ 040-45210400

✉ enquiry@biopulsesolutions.com

🌐 www.biopulsesolutions.com