



Industrial Digital Series

Smart | Precise | Intuitive

Introducing a Industrial Digital Peristaltic pump with Engineered protection using 304 stainless steel housing to ensures seamless GMP compliance. The digital pump features a dynamic display for real-time data, versatile operational modes, smart calibration, and robust protection. Ideal for Pharma/Bio-Pharma and Fine Chemicals production that requires precise volumetric dispensing capabilities.

Features



304 stainless-steel housing

Seamless welding design conforms to GMP requirements



Dynamic Display

View data on one screen: Flow rate, parameters, config, etc.



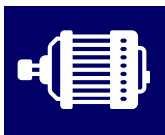
Operational Modes

Continuous flow, Fixed time & volume, Time based start/ stop



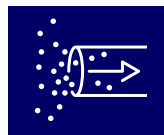
Smart Calibration

Functionality offsets flow to eliminate any errors



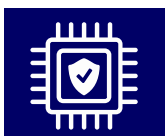
Robust Motor

A Maintenance free motor enables high speed, control & accuracy.



Back Angle Suction

Enables high accuracy level in volumetric dispensing.



Circuitboard Protection

Ensures protection against dust, moisture, static & Corrosion



Communication Interface

Comes with Analogue signal, RS232, RS485 MODBUS protocol

Perfect for production environments in
Pharma/Biopharma, and Fine Chemicals industry

Contact Us

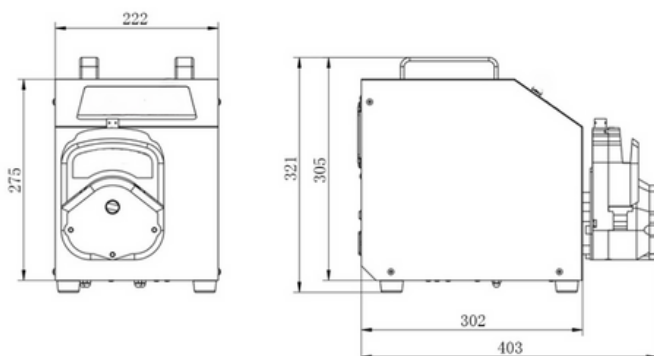
Specifications



Pump Model	PD-I
Part No.	BP902012-111
Flow Rate	0.69 – 12 LPM
Motor Speed	0.1 – 600 rpm
Speed Resolution	0.01
Pump-Head Stack	2
Reversible (CW/CCW)	Yes
External Control	0-5V, 0-10V, 4-20 mA
Display	4.3" Color Display
Control	Touch Screen & Mechanical Keypad
Housing Enclosure	304 Stainless Steel
IP Rating	IP31
Dimensions (LxWxH)	302 x 222 x 275 mm
Power	230 VAC, 50/60 Hz
Weight	13.2 kg

Tube Size	ml/rev	Flow rate (LPM) with 3.2 mm Tubing WT
6.4 mm	6.9	4.2
9.5 mm	12.3	7.4
12.7 mm	20	12

Dimensions



We also offer end-to-end Fluid management solutions including

- Single-Use Technology
- Tubing
- Fittings
- connectors

and more...

Contact Us

☎ 040-45210400

✉ enquiry@biopulsesolutions.com

🌐 www.biopulsesolutions.com